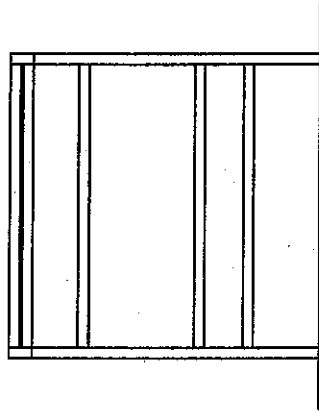
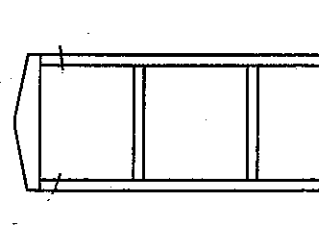


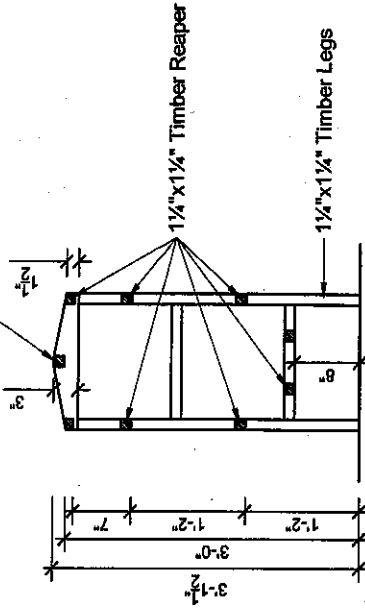
Item No. 01



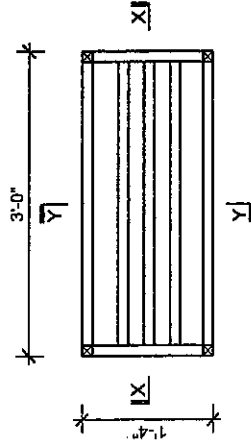
FRONT ELEVATION



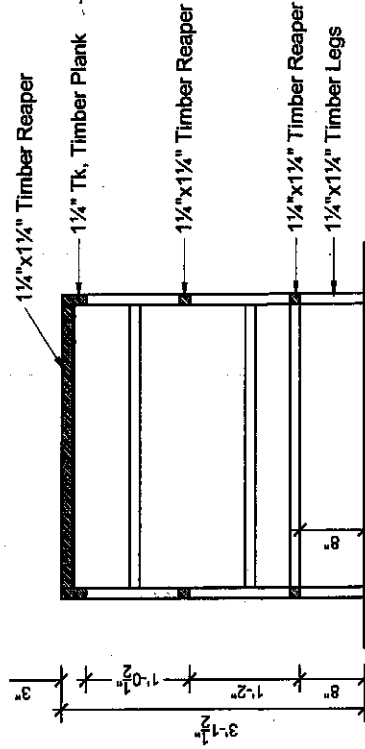
SIDE ELEVATION



SECTION AT Y - Y



PLAN



SECTION AT X - X

Specifications

- * Complete structure shall be applied with two coats of wood preservative, two coats of wood sealer, one coat of wood stain and finished with one coat of wood finish matt paint.
- * All timber should be treated Teak.
- * All joints should be fixed with wooden nails or Brass Screws. All timber joints should be mortis and tenon.
- * All structure (Including Sample) shall be examined by the university engineer before applying wood sealer. Further get painting work approval by the university engineer.
- * All dimensions are finished sizes.

REVISED TIMBER TOWEL RACK

WORKS DEPARTMENT
CONSTRUCTION & MAINTENANCE DIVISION
UNIVERSITY OF PERADENIYA, PERADENIYA.

CERTIFIED BY
(WORKS ENGINEER)

DATE : 2018/07/13

Works Engineer

DRAWN BY: Mr. J.A.C.P. PERERA

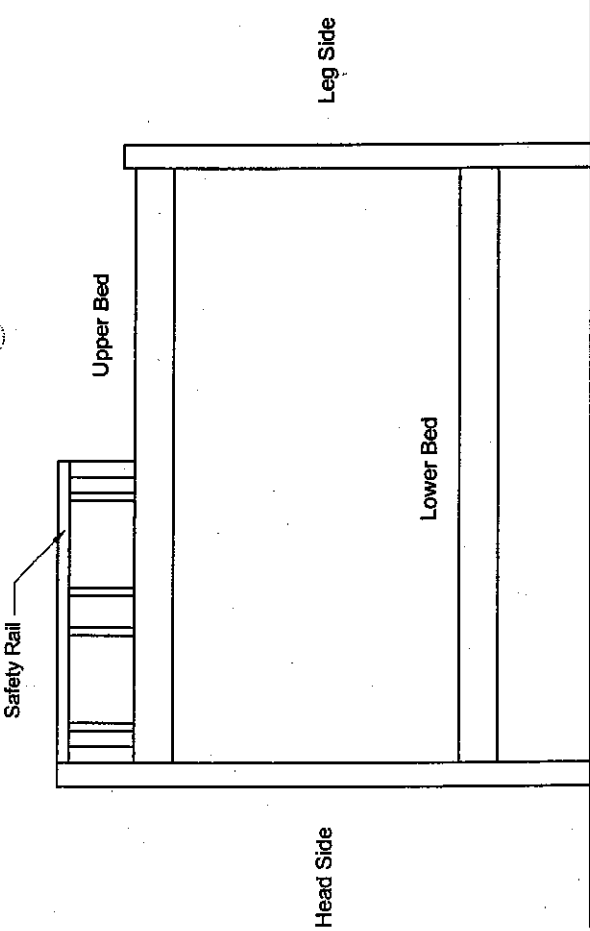
DWN NO. WD/CAMD/REP/IN/HRD/01

CHECK BY: Mrs. A. RATHNAYAKE

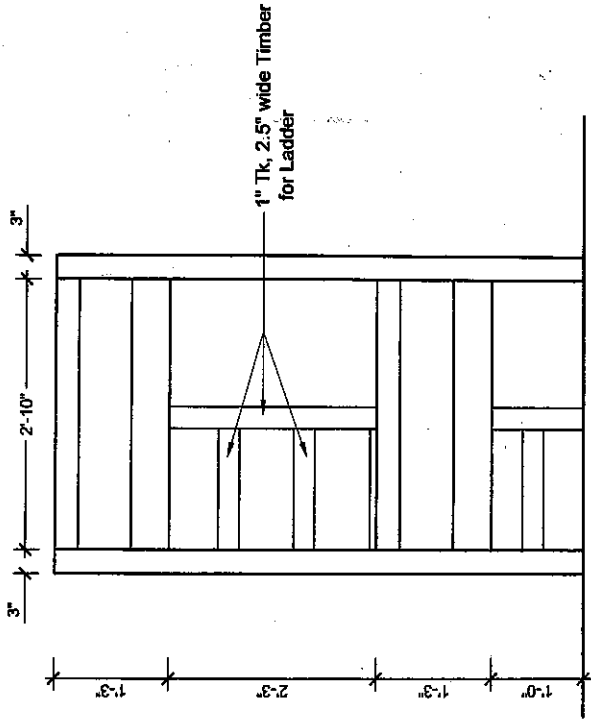
UNIVERSITY OF PERADENIYA
SCALE: NOT TO SCALE

Peradeniya.

Item No: 02 :



FRONT ELEVATION



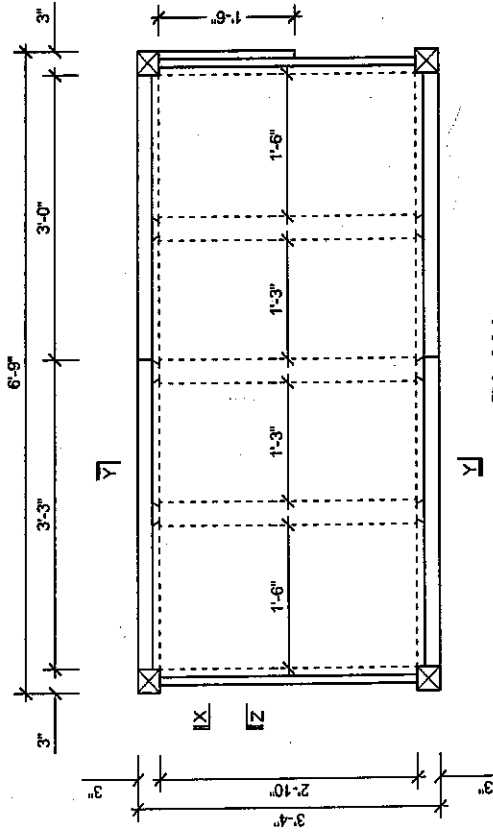
SIDE ELEVATION AT 'A'

Note

Following 04 Main units are included to a bed. These four main units should be manufactured separately. Single bed should be produced by assembling 04 main units accordance with given specification.

- Unit 01 - 02 Legs with frame at Head Side.
- Unit 02 - 02 Legs with frame & Ladder at Leg Side.
- Unit 03 - 02 Bedsteads of Lower Bed.
- Unit 04 - 02 Bedsteads with safety rail of Upper Bed.

*** All sharp timber edges should be router.



PLAN

REVISED TIMBER BUNK BED

WORKS DEPARTMENT
CONSTRUCTION & MAINTENANCE DIVISION
 UNIVERSITY OF PERADENIYA, PERADENIYA.

CERTIFIED BY :
 (WORKS ENGINEER)

Works Engineer
 Works Department

DATE : 2018/07/13

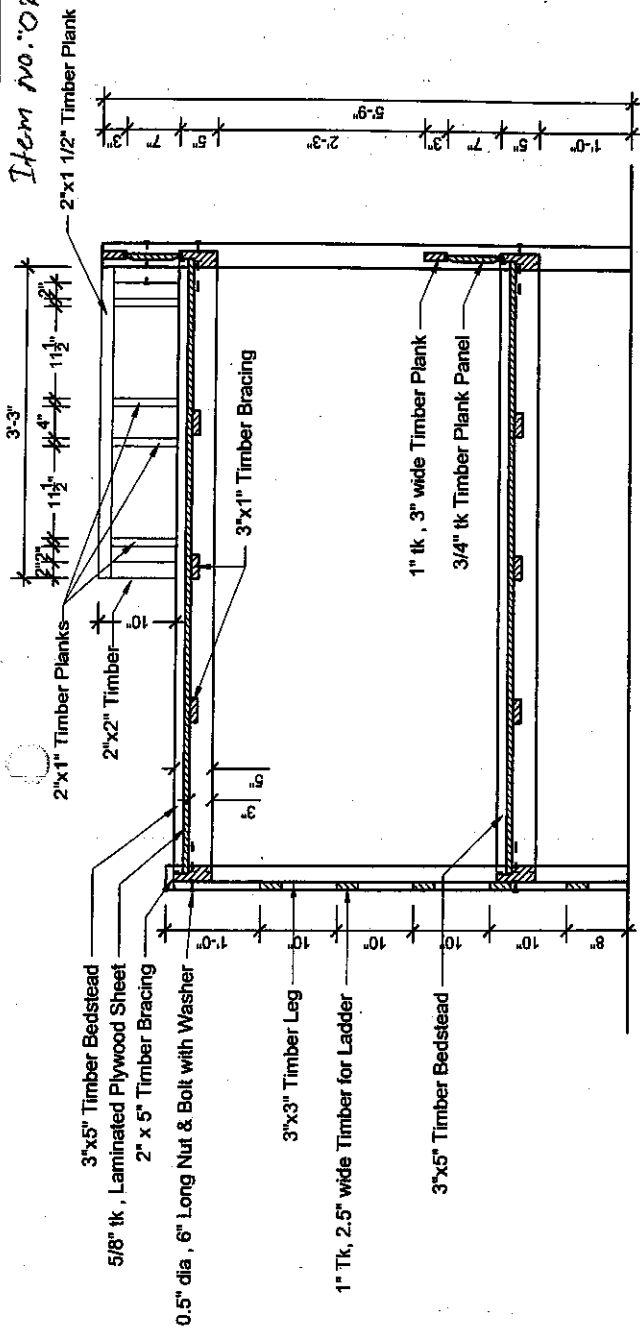
DRAWN BY: Mr. J.A.C.P. PERERA

UNIVERSITY OF PERADENIYA

CHECK BY: Mrs. A. RATHNAYAKE

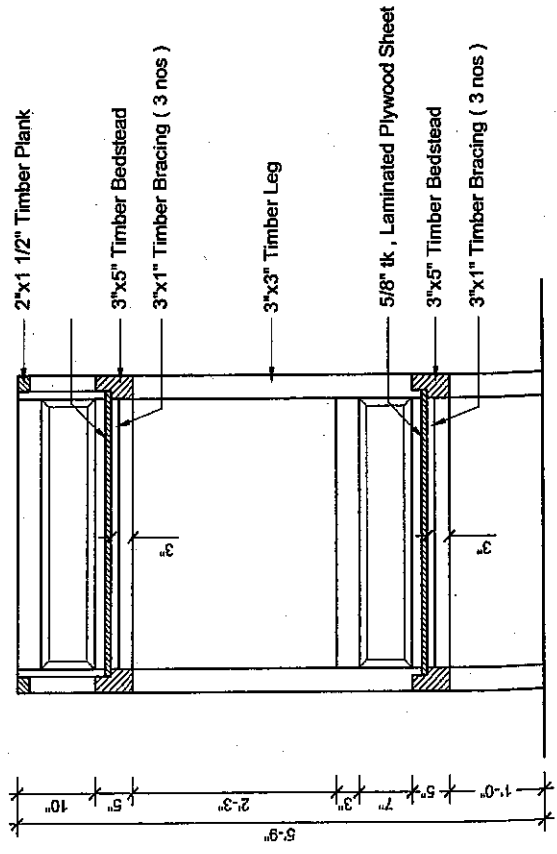
SCALE : 1:10

Item No.: OR



SECTION AT Z - Z

SIDE ELEVATION AT 'B'



SECTION AT Y - Y

Note

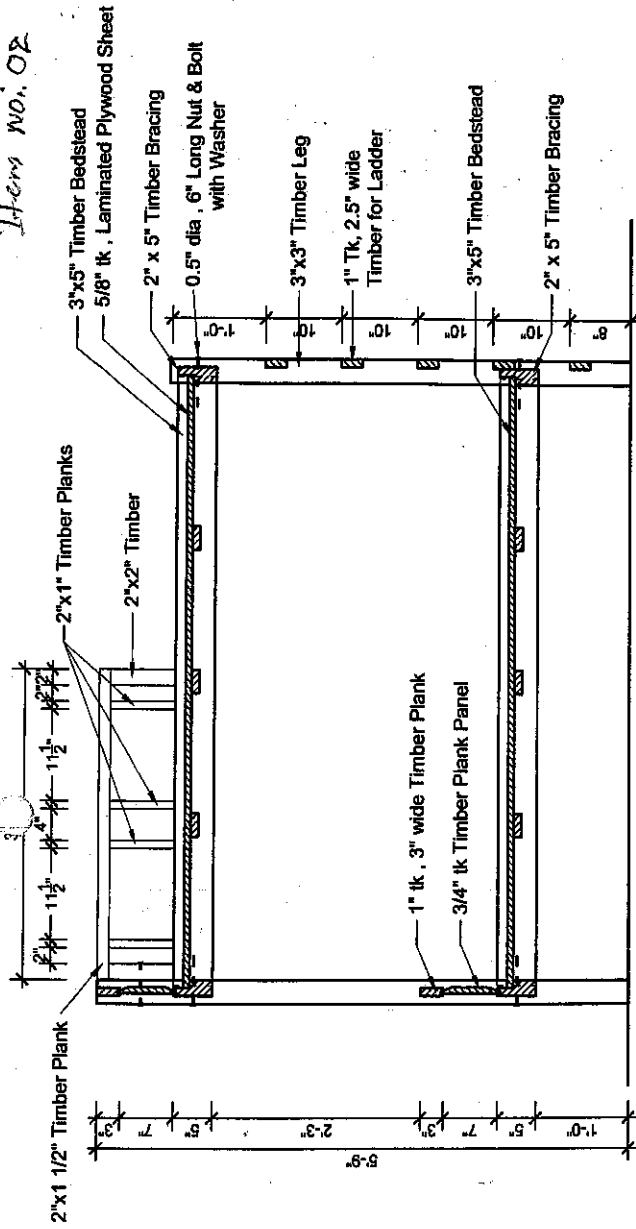
Following 04 Main units are included to a bed. These four main units should be manufactured separately. Single bed should be produced by assembling 04 main units accordance with given specification.

- Unit 01 - 02 Legs with frame at Head Side.
- Unit 02 - 02 Legs with frame & Ladder at Leg Side.
- Unit 03 - 02 Bedsteads of Lower Bed.
- Unit 04 - 02 Bedsteads with safety rail of Upper Bed.

*** All sharp timber edges should be router.

REVISED TIMBER BUNK BED	
WORKS DEPARTMENT	
CONSTRUCTION & MAINTENANCE DIVISION	
UNIVERSITY OF PERADENIYA, PERADENIYA.	
CERTIFIED BY (WORKS ENGINEER)	<i>[Signature]</i> Works Engineer Works Department
DATE : 2018/07/13	DRAWN BY: MR. J.A.C.P. PERERA
CHECK BY: MRS. A. PATHNAYAKE	SCALE : 1/8" = 1'-0"

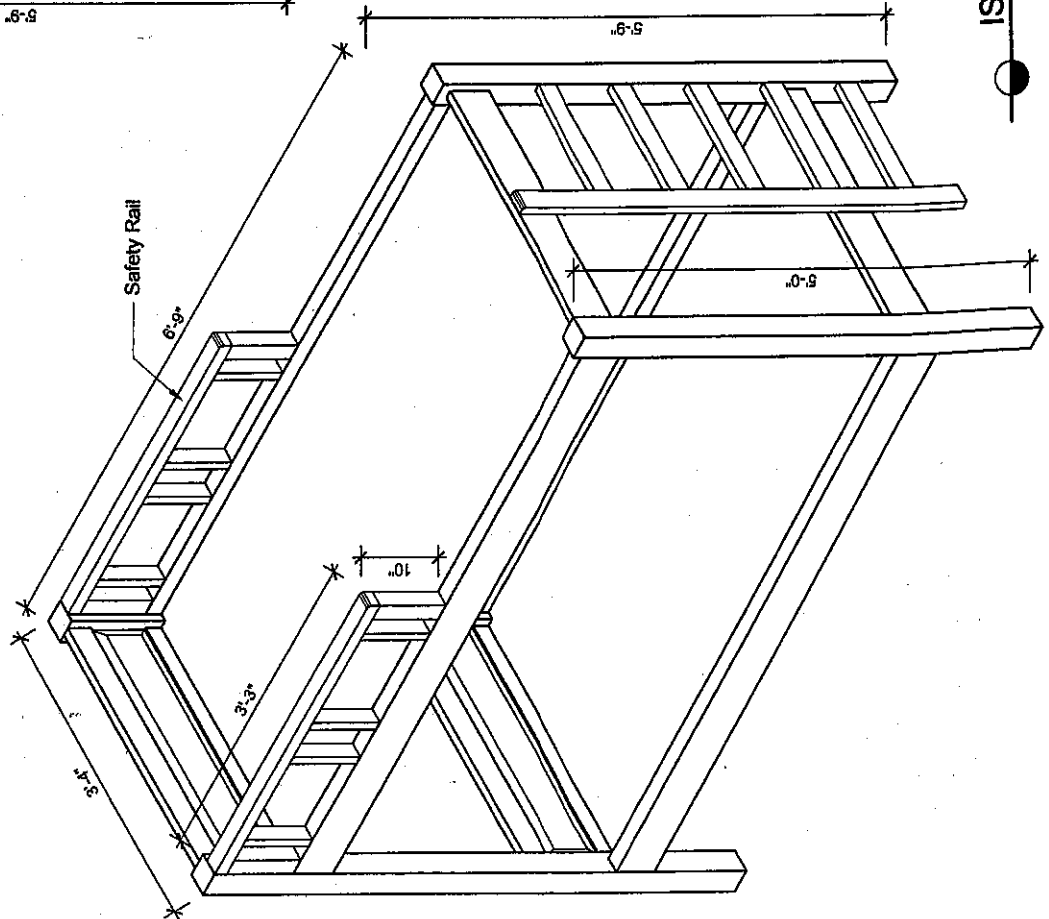
Item No. 02



SECTION AT X - X

Specifications

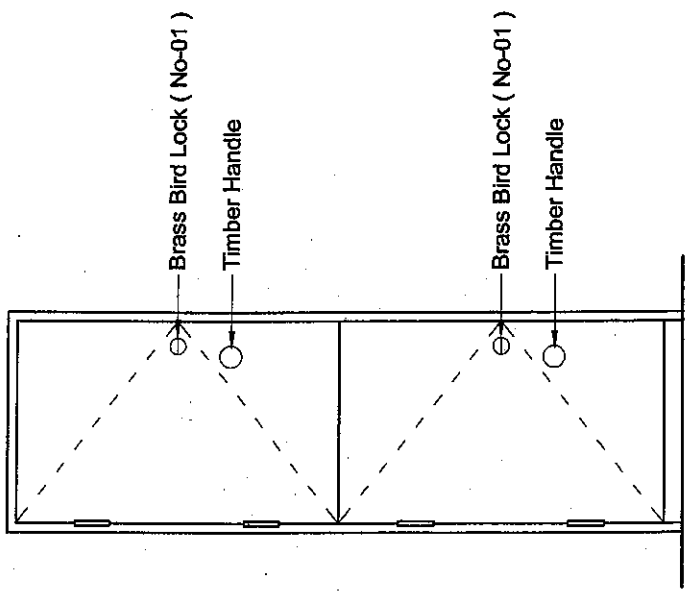
- * Complete structure shall be applied with two coats of wood preservative, two coats of wood sealer, one coat of wood stain and finished with one coat of wood finish matt paint.
- * All structure (Including Sample) shall be examined by the university engineer before applying wood sealer. Further get painting work approval by the university engineer.
- * All timber should be treated Teak.
- * All joints should be fixed with wooden nails or Brass Screws. All timber joints should be mortis and tenon.
- * All dimensions are finished sizes.



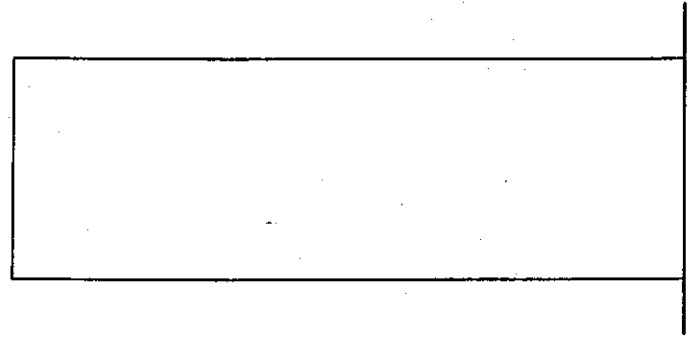
ISOMETRIC VIEW

REVISED TIMBER BUNK BED	
WORKS DEPARTMENT CONSTRUCTION & MAINTENANCE DIVISION UNIVERSITY OF PERADENIYA, PERADENIYA.	
CERTIFIED BY (WORKS ENGINEER)	Works Engineer Works Department
DATE : 2018/07/13	
DRAWN BY: Mr. J.A.C.P. PERERA	
CHECK BY: Mrs. A. RATHNAYAKE	
	UNIVERSITY OF PERADENIYA
	SCALE : NOT TO SCALE

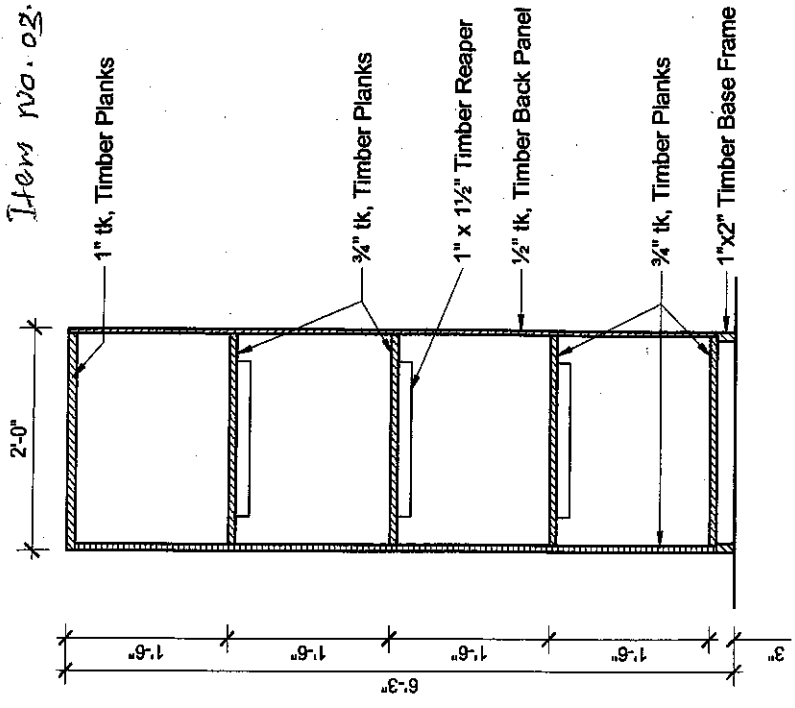
Items no. 03.



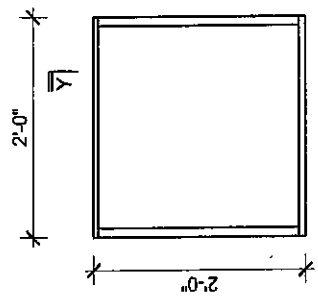
FRONT ELEVATION



SIDE ELEVATION



SECTION AT Y - Y



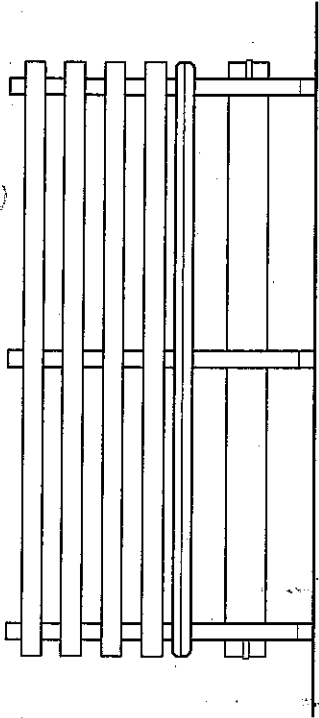
PLAN

Specifications

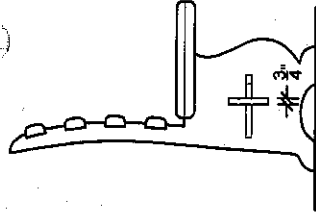
- * Complete structure shall be applied with two coats of wood preservative, two coats of wood sealer, one coat of wood stain and finished with one coat of wood finish matt paint.
- * All structure (Including Sample) shall be examined by the university engineer before applying wood sealer. Further get painting work approval by the university engineer.
- * All timber should be treated Teak.
- * All joints should be fixed with wooden nails or Brass Screws. All timber plank joints should be tongue and groove.
- * All dimensions are finished sizes.

REVISED TIMBER CUPBOARD	
WORKS DEPARTMENT CONSTRUCTION & MAINTENANCE DIVISION UNIVERSITY OF PERADENIYA, PERADENIYA.	
CERTIFIED BY (WORKS ENGINEER)	Works Engineer
DATE : 2018/07/13	Works Department
DRAWN BY: Mr. J.A. C.P. PERERA	DWININGIRATHNAPARKAS
CHECK BY : Mrs.A.RATHNAYAKE	SCALE : NPT/100

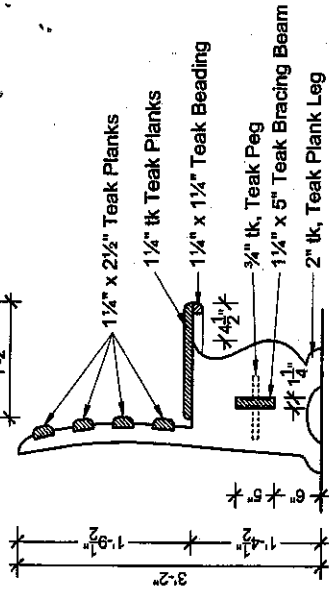
Item No. 06



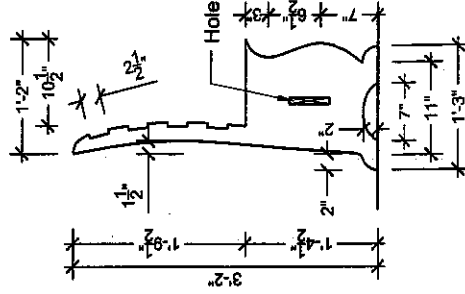
FRONT ELEVATION



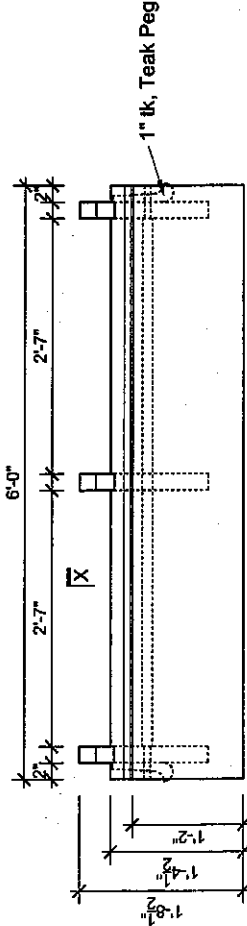
SIDE ELEVATION



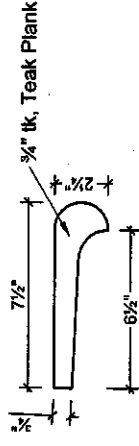
SECTION AT X - X



DETAIL OF LEG PLANK



PLAN



DETAIL OF PEG

Specifications

- * Complete structure shall be applied with two coats of wood preservative, two coats of wood sealer, one coat of wood stain and finished with one coat of wood finish matt paint.
- * All structure (Including Sample) shall be examined by the university engineer before applying wood sealer. Further get painting work approval by the university engineer.
- * All timber should be treated Teak.

- * All joints should be fixed with wooden nails or Brass Screws. All timber plank joints should be tongue and groove. All timber joints should be mortis and tenon.
- * All dimensions are finished sizes.
- * Removable Table top and Base should be separate units.

REVISED COMMON ROOM BENCH


WORKS DEPARTMENT
CONSTRUCTION & MAINTENANCE DIVISION
UNIVERSITY OF PERADENIYA, PERADENIYA.

CERTIFIED BY
(WORKS ENGINEER)

DATE : 2018/07/13

DRAWN BY: Mr. J.A.C.P. PERERA

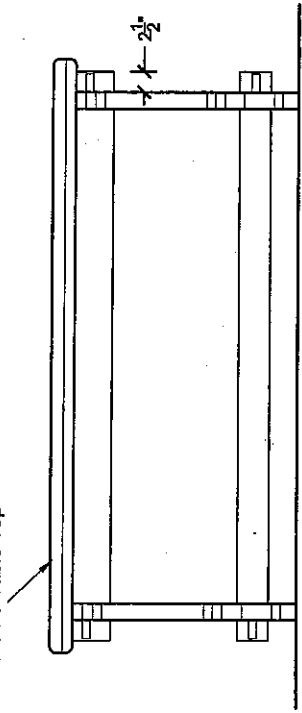
CHECK BY: Mrs. A. RATHNAYAKE


Works Engineer
Works Department

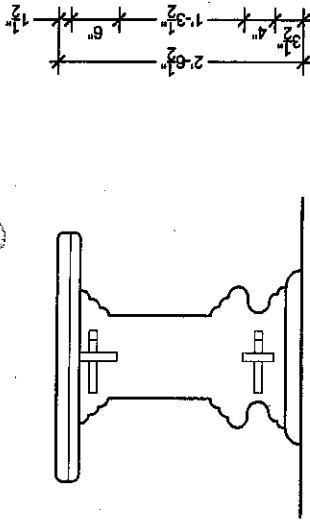
UNIVERSITY OF PERADENIYA
DRAWING OFFICE
SCALE : NOT TO SCALE

Item no. 07

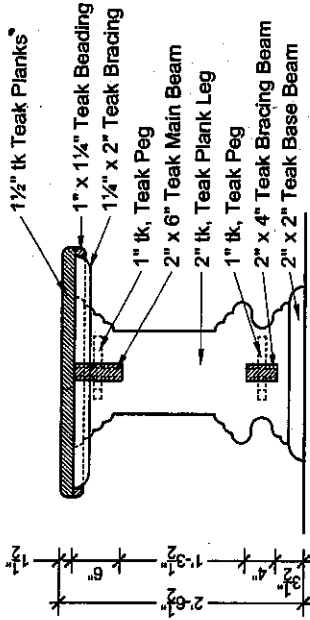
Removable Table Top



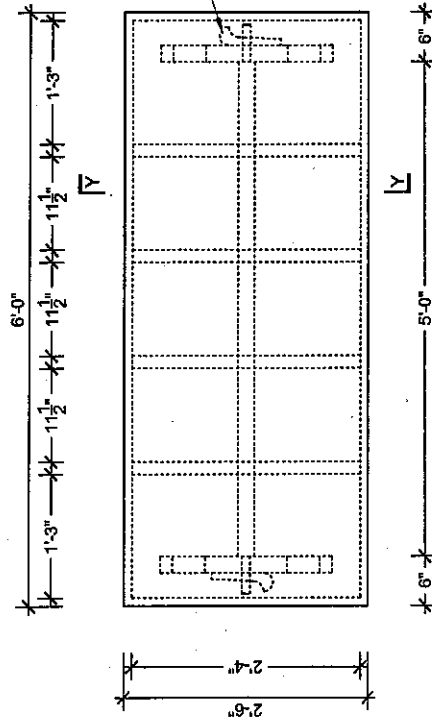
FRONT ELEVATION



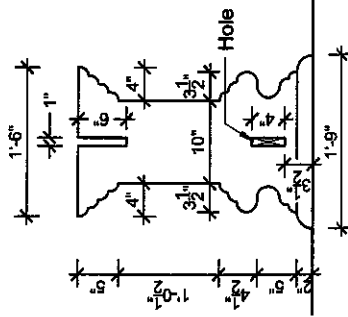
SIDE ELEVATION



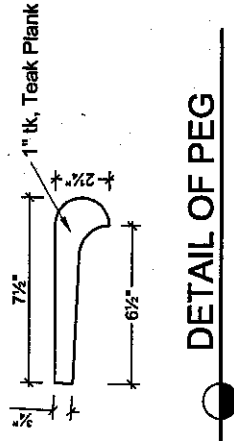
SECTION AT Y - Y



PLAN



DETAIL OF LEG PLANK



DETAIL OF PEG

Specifications

- * Complete structure shall be applied with two coats of wood preservative, two coats of wood sealer, one coat of wood stain and finished with one coat of wood finish matt paint.
- * All structure (Including Sample) shall be examined by the university engineer before applying wood sealer. Further get painting work approval by the university engineer.
- * All timber should be treated Teak.

- * All joints should be fixed with wooden nails or Brass Screws. All timber plank joints should be tongue and groove. All timber joints should be mortis and tenon.
- * All dimensions are finished sizes.
- * Removable Table top and Base should be separate units.

REVISED COMMON ROOM TABLE

WORKS DEPARTMENT
CONSTRUCTION & MAINTENANCE DIVISION
UNIVERSITY OF PERADENIYA, PERADENIYA.

CERTIFIED BY
(WORKS ENGINEER)

Works Engineer
Works Department

DATE : 2018/07/13

DRAWN BY : Mr. J.A.C.P. PERERA

DESIGNED BY : Mr. C. M. D. S. PERERA

CHECK BY : Mrs. A. RATHNAYAKE

SCALE : NOT TO SCALE

REVISED FURNITURE ARRANGEMENT LAYOUT

WORKS DEPARTMENT

CONSTRUCTION & MAINTENANCE DIVISION

UNIVERSITY OF PERADENYA, PERADENYA

CERTIFIED BY :

(WORKS ENGINEER)

[Signature]

Peradenya
Peradenya

DATE : 2018/07/13

DRAWN BY: M.J.A.C.P.PERERA

DWN.NO: WD/CAMD/RHP/NHF/RD/08

CHECK BY: M.S.A.RATHNAYAKE

SCALE : NOT TO SCALE

LAYOUT PLAN

